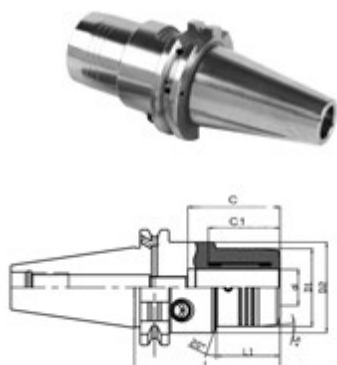


Hydrodehnspannfutter DIN 69871 AD/B
Hydraulic chuck DIN 69871 AD/B

- inkl. Schlüssel

- incl. wrench



Größe / Size	d mm	D1 mm	D2 mm	L mm	L1 mm	C1 mm	C mm	Art.-Nr. / Order no.
SK 40	6	28	50	80,5	35	26	40	13-HDSK40-6-80
SK 40	8	30	50	80,5	35	28	40	13-HDSK40-8-80
SK 40	10	32	50	80,5	35	33	45	13-HDSK40-10-80
SK 40	12	34	50	80,5	35	37	47	13-HDSK40-12-80
SK 40	16	38	50	80,5	35	40	51	13-HDSK40-16-80
SK 40	20	43	50	80,5	35	40	51	13-HDSK40-20-80
SK 50	20	43	52	90	34,5	40	51	13-HDSK50-20-90
SK 50	32	62	72	105	43	60	90	13-HDSK50-32-105

SK 40

Gewuchtet G = 2,5 20.000 U/min.
Balanced G = 2,5 20.000 U/min.

SK 50

Gewuchtet G = 2,5 15.000 U/min.
Balanced G = 2,5 15.000 U/min.